



SmartFind S5 AIS SART

The SmartFind S5 AIS SART is a manual deployment survival craft AIS Search and Rescue Transmitter (AIS SART) intended for use on life rafts or survival craft. It meets IMO SOLAS requirements and is an alternative to a Radar SART.



SmartFind S5 AIS SART



Compact, easy to operate and deploy, the SmartFind S5 AIS, Search and Rescue locating device is a portable device packed inside a quick release carry off bag for quick evacuation.

SmartFind S5 AIS SART transmits target survivor information including structured alert messages, GPS position information and serialised identity number. Once activated the SmartFind S5 AIS SART transmits continually for a minimum of 96 hours. An inbuilt high precision GPS provides accurate position information to assist in quick location of survival craft.

Whether wall mounted in the ships bridge or packed inside a survival craft, the highly visible and buoyant carry case affords maximum protection.

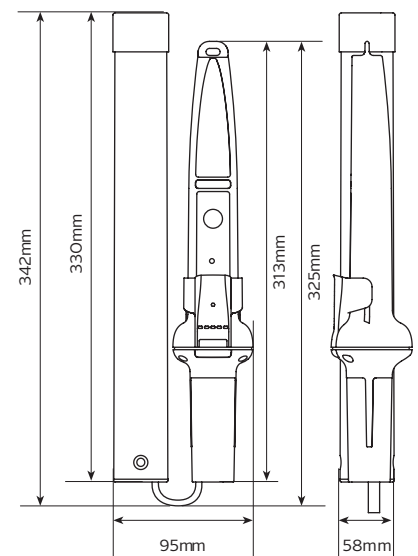
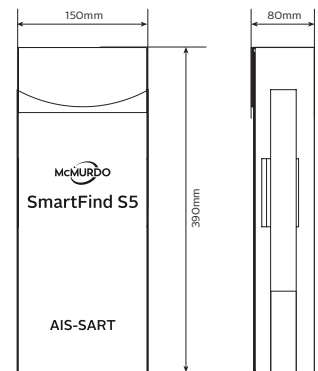


- Internationally approved
- Ship or Survival craft options
- Waterproof to 10m
- Buoyant/floats
- Rugged, compact and lightweight
- Non-hazardous battery for safe and easy transportation
- Minimum 96 hour operational battery life
- 6 year battery life
- Visual indication of operation
- Built-in test facility
- Integral lanyard
- Mounting options – Internal/External
- Comes complete in its own carry case

Technical Specifications

Beacon Specification Standards applied

AIS SART	IEC 61097 -14, IEC 60945	
Radio	ITU-R	M.1371
GNSS / GPS	IEC 61108-1	
IMO	MSC.246(83)	
Type	IMO AIS SART	Non float free
Operation	Manual activation switch	Protected by anti tamper cover.
	Self test	Checks transmitter, battery, GPS and indicators.
AIS Transmitter	Operating frequency	AIS1, 161.975 MHz -AIS2, 162.025 MHz
	Power output	2W nominal
	AIS message type	1, 14
	Modulation	GMSK
	Antenna	Integrated vertical element
Battery	Type	Lithium metal
	Operating life	96 hours minimum
	Storage	6 years
	Service	Replaceable
GNSS	GPS	20 channel
Environment	Operating temperature	-20 °C to +55 °C
	Storage temperature	-30 °C to +70 °C
	Waterproof	Immersion to 10m
	Buoyancy	Floats
	Exterior Finish	Highly visible orange
	Compass safe distance	0.2m
Physical	Weight (main unit)	160 grams
	Weight, (including pole)	450 grams
	Length including pole extended	155 cm
	Lanyard	10 m, 50Kg breaking strain
Mounting	Stowage case (packed)	940g H390 x D80 x W150 (mm)
	Bulkhead bracket	230g



info@mcmurdogroup.com

www.mcmurdogroup.com

Service & Support

For service and support, please contact your local distributor or service agent by visiting <http://www.mcmurdomarine.com/find-a-service-centre>



McMurdo Group – The industry's first end-to-end life-saving and tracking solutions provider
Distress Beacons • Satellite Connectivity Infrastructure • Monitoring/Positioning Software • Emergency Response Management